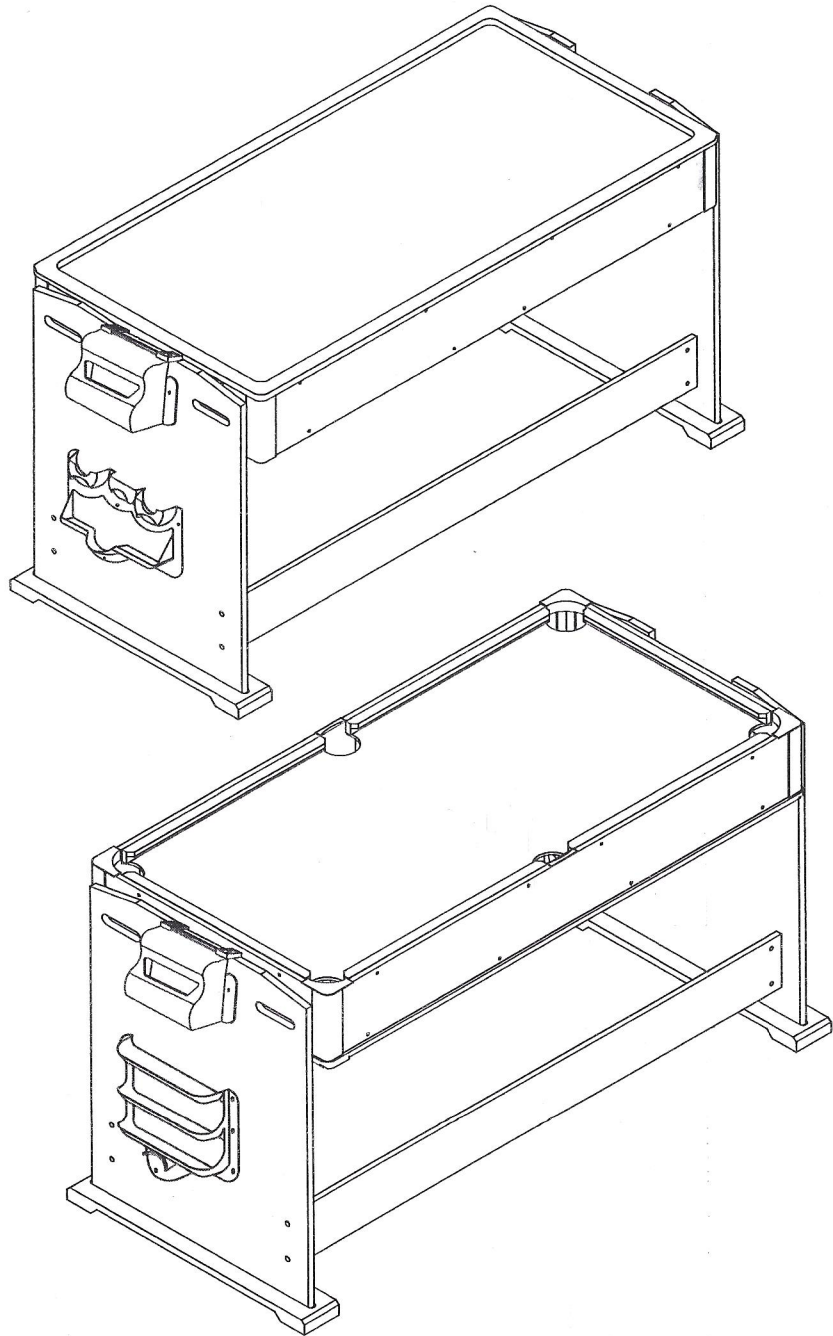
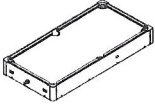
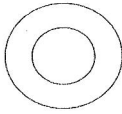
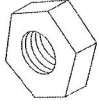
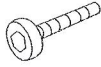
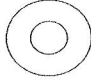

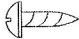

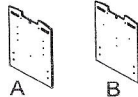

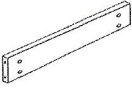
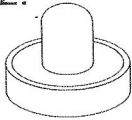


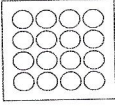


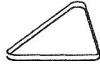
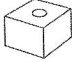
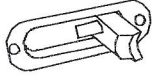

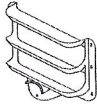
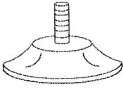


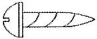

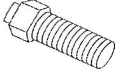


POOL TABLE / HOCKEY TABLE
ITEM NO: AC0029

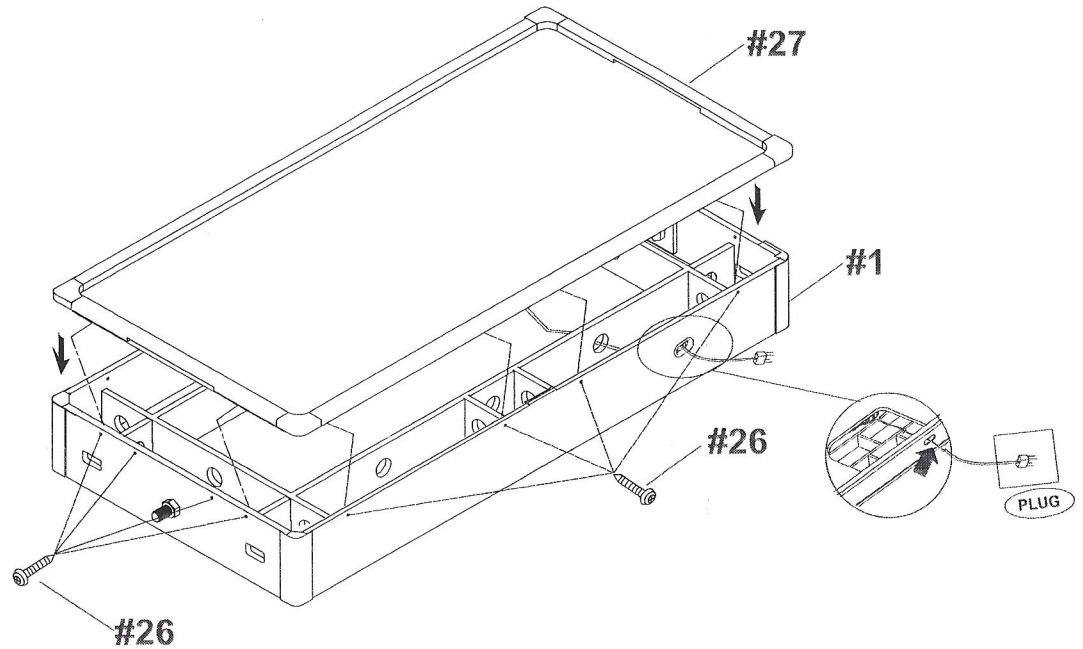


Parts List

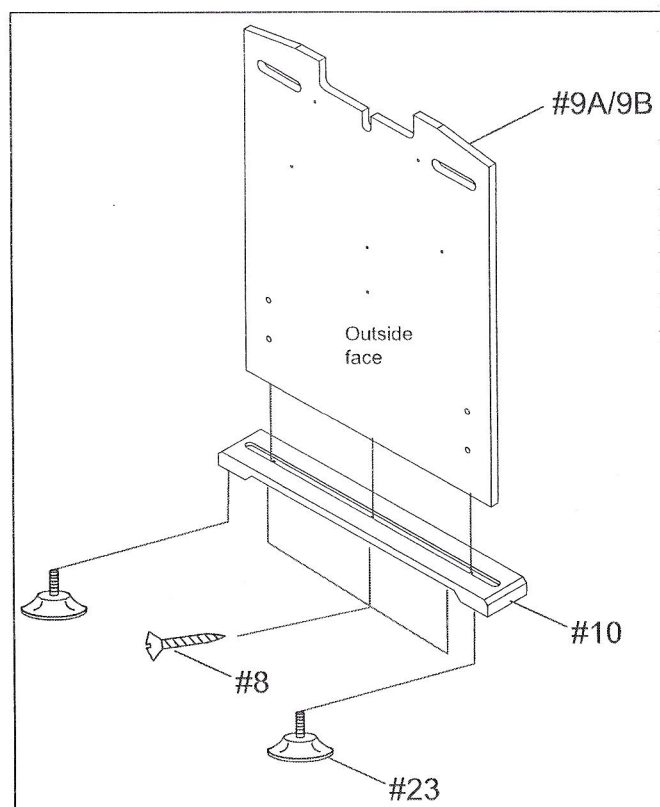
<p>#1.</p>  <p>Pool Table 1 piece</p>	<p>#2.</p>  <p>3/4" Washer 2 pieces</p>	<p>#3.</p>  <p>3/4" Hex Nut 2 pieces</p>	<p>#4.</p>  <p>1/4" Bolt 8 pieces</p>	<p>#5.</p>  <p>1/4" Washer 8 pieces</p>
<p>#6.</p>  <p>Puck Catcher 2 pieces</p>	<p>#7.</p>  <p>5/8" Screw 27 pieces</p>	<p>#8.</p>  <p>2-1/8" Screw Screw - 6 pieces</p>	<p>#9.</p>  <p>A B Pedestal 2 pieces</p>	<p>#10.</p>  <p>Pedestal Support 2 pieces</p>
<p>#11.</p>  <p>Rail 2 pieces</p>	<p>#12.</p>  <p>Pusher 2 pieces</p>	<p>#13.</p>  <p>Felt 2 pieces</p>	<p>#14.</p>  <p>Round Puck 2 pieces</p>	<p>#15.</p>  <p>Billiard Balls 1 set</p>
<p>#16.</p>  <p>2/Pcs Cue Stick 2 pieces</p>	<p>#17.</p>  <p>Table Brush 1 piece</p>	<p>#18.</p>  <p>Triangle Rack 1 piece</p>	<p>#19.</p>  <p>Cue Chalk 2 pieces</p>	<p>#20.</p>  <p>Lock Pin 4 pieces</p>
<p>#21.</p>  <p>Plastic Aglove A 1 piece</p>	<p>#22.</p>  <p>Plastic Aglove B 1 piece</p>	<p>#23.</p>  <p>Leg Leveler 4 pieces</p>	<p>#24.</p>  <p>Wrench 1 piece</p>	<p>#25.</p>  <p>4MM Allen Key Tool 1 piece</p>
<p>#26.</p>  <p>1-1/4" Screw 18 pieces</p>	<p>#27.</p>  <p>Hockey Table 1 piece</p>	<p>#28. (PRE-Assembled)</p>  <p>3/4" Bolt 2 pieces</p>		

IMPORTANT: SOME PARTS USED IN THE ASSEMBLY OF THIS ITEM ARE QUITE HEAVY. PLEASE DO NOT ATTEMPT TO LIFT BY YOURSELF! NOT SUITABLE FOR CHILDREN UNDER THREE.

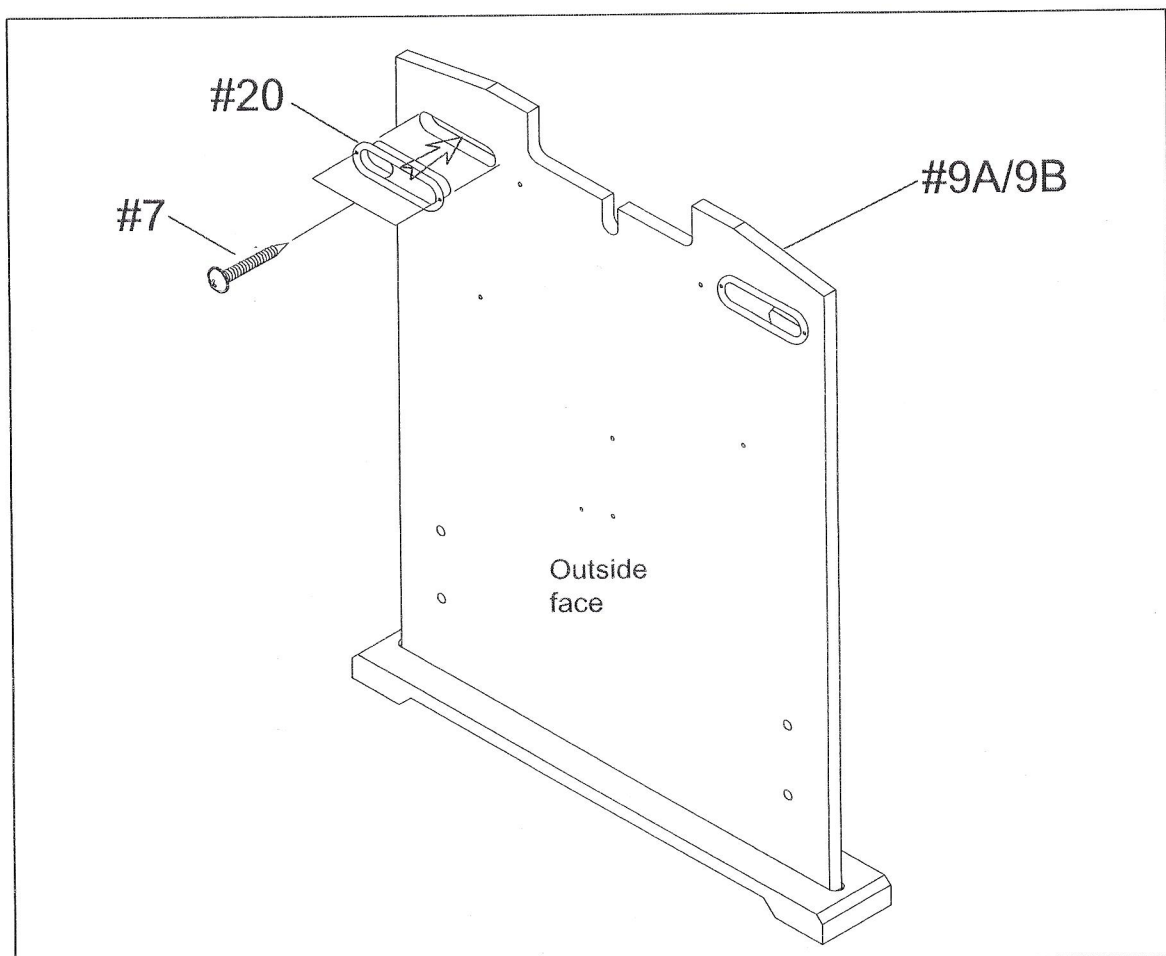
- 1) Attach the air hockey table section (#27) to the pool table section (#1) using screws (#26). Please be sure to thread the air hockey plug through the sidewalls in the pool table section (#1) as shown in the illustration before securing with the screws (#26)



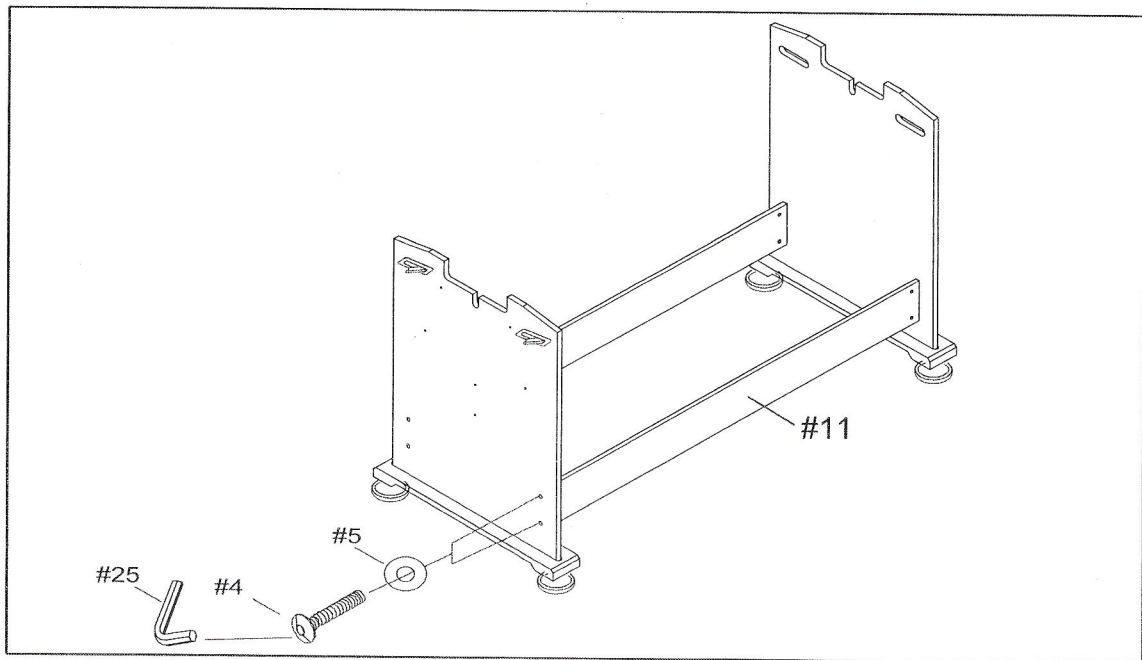
- 2) Pedestal assembly



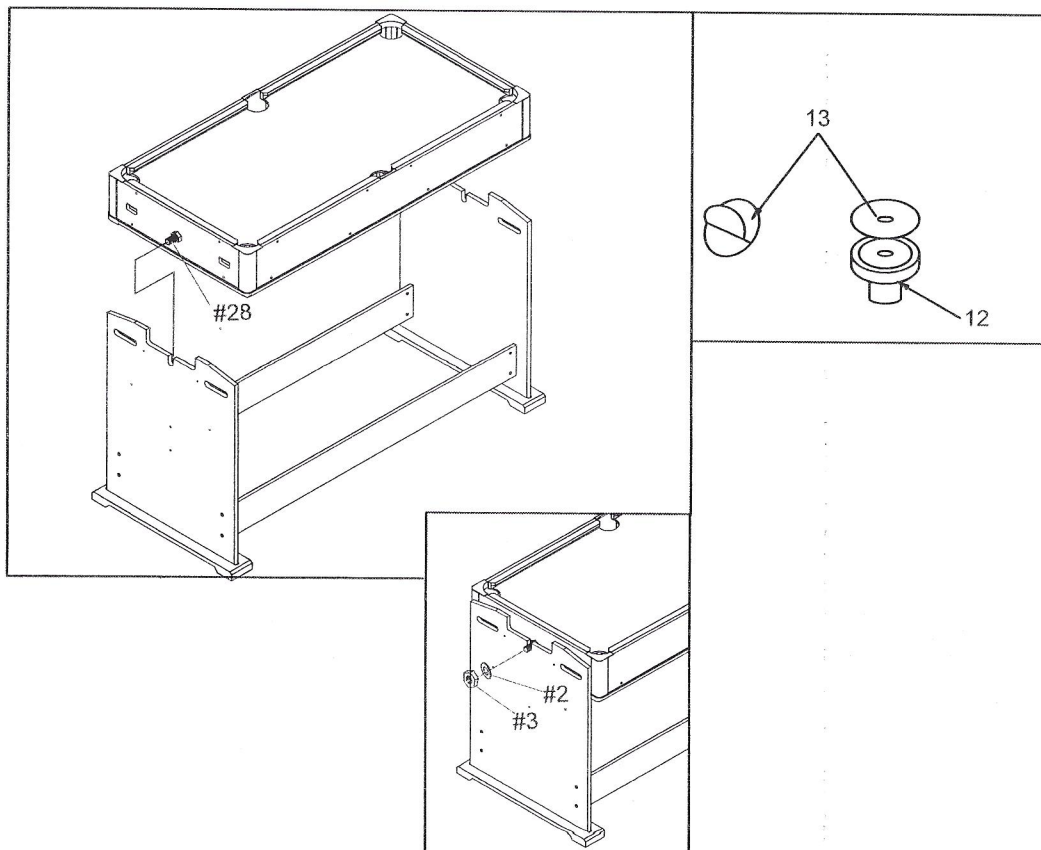
3) Attaching the table locks



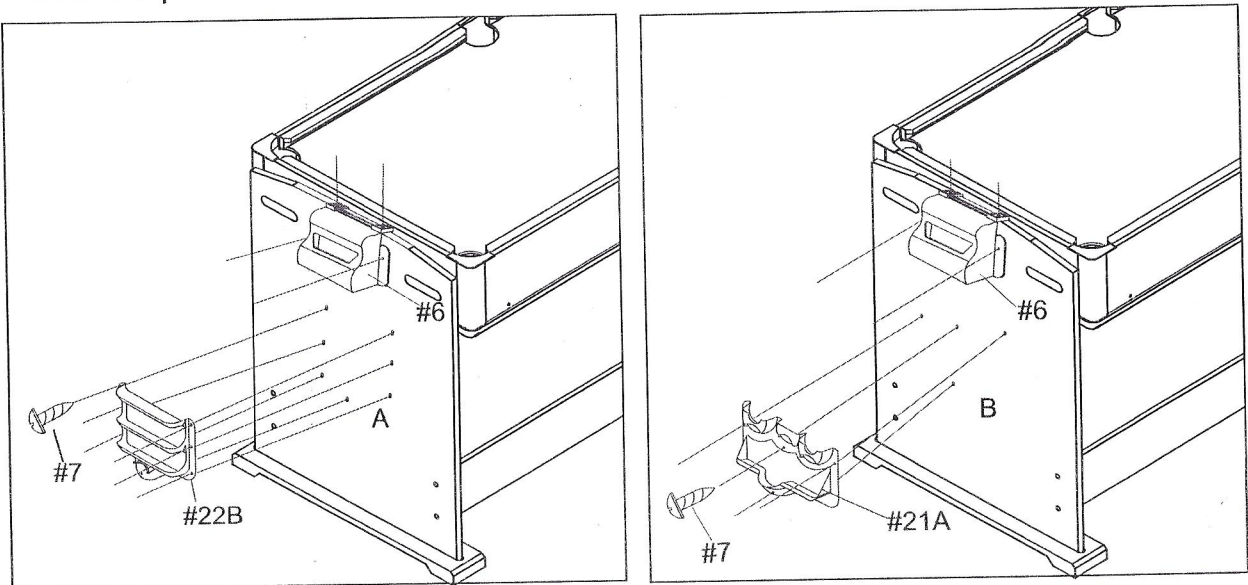
4) Assembling the base



- 5) Attach the now completed rotating system to the now completed base. Place felt on the bottom of hockey striker after removing the backing from the adhesive.



6) Attach the puck catchers and parts holders to the pedestal walls (# 9A and 9B)



7) Release the table locks installed in step 3 to rotate the table function between air hockey and billiards. Be sure to use the table locks to secure the table before playing your selected game.

