

ASTRAL

7ft Outdoor Pool Table



**MIGHTYMAST
LEISURE**

Assembly Instructions

Please keep for future reference

Adult assembly required

(0615)

www.mightymast.com

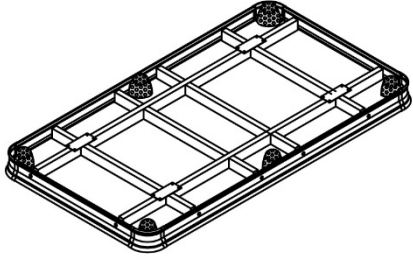


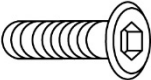


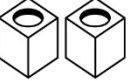




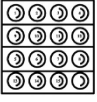

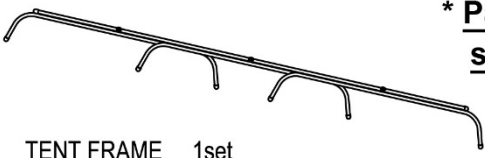


ASSEMBLY INSTRUCTIONS FOR THE 7FT ASTRAL OUTDOOR POOL TABLE

Please keep these instructions for future reference. Two adults are required for assembly.

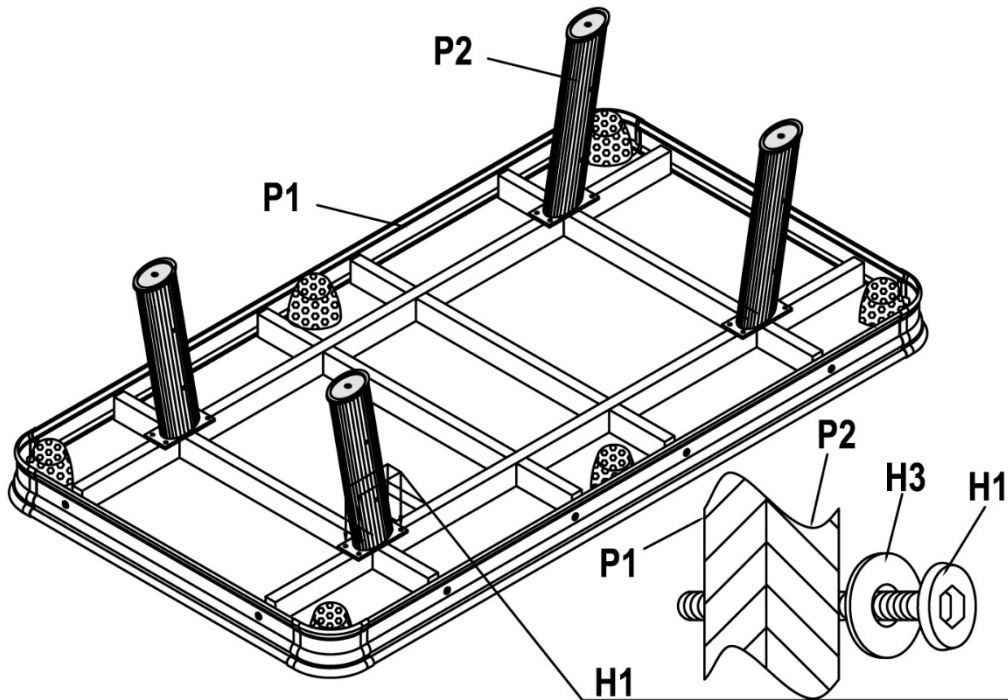
1. Carefully unpack the table & check that the parts & accessories are included & all in order. We recommend building the table on the box top to protect the parts during assembly.
2. Save all packing materials until all parts have been inspected & the table is assembled.

Parts Identifier

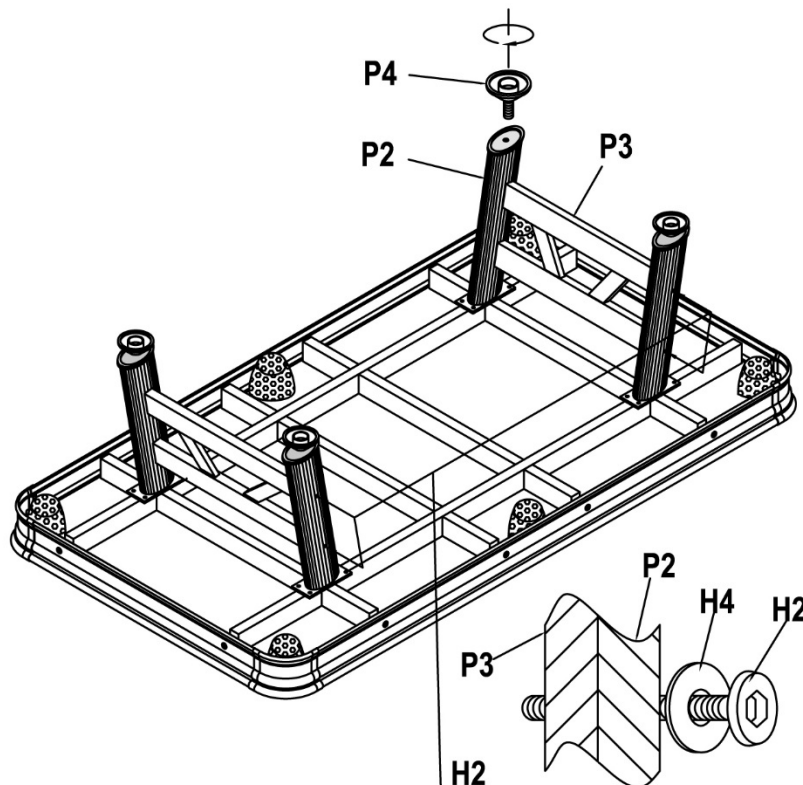
<p>P1</p>  <p style="text-align: center;">POOL TABLE 4pcs</p>	<p>P2</p>  <p style="text-align: center;">LEG 4pcs</p>
<p>P4</p>  <p style="text-align: center;">LEG LEVELER 4pcs</p>	<p>H1</p>  <p style="text-align: center;">5/16x5/8" BOLT 16pcs</p>
<p>H3</p>  <p style="text-align: center;">5/16"WASHER 16pcs</p>	<p>H4</p>  <p style="text-align: center;">1/4"WASHER 8pcs</p>
<p>A2</p>  <p style="text-align: center;">CHALK 2pcs</p>	<p>A3</p>  <p style="text-align: center;">CUE STICK 2pcs</p>
<p>A5</p>  <p style="text-align: center;">TOOL 2pcs</p>	<p>A6</p>  <p style="text-align: center;">BRUSH 1pc</p>
<p>A7</p>  <p style="text-align: center;">TABLE COVER 1pc</p>	<p>A1</p>  <p style="text-align: center;">BILLIARD BALL 1set</p>
<p>A4</p>  <p style="text-align: center;">TRIANGLE 1pc</p>	
<p>A8</p>  <p style="text-align: center;">TENT FRAME 1set</p> <p style="text-align: right; font-weight: bold;">* <u>Packed on cloth</u> <u>side of table</u> *</p>	

Assembly

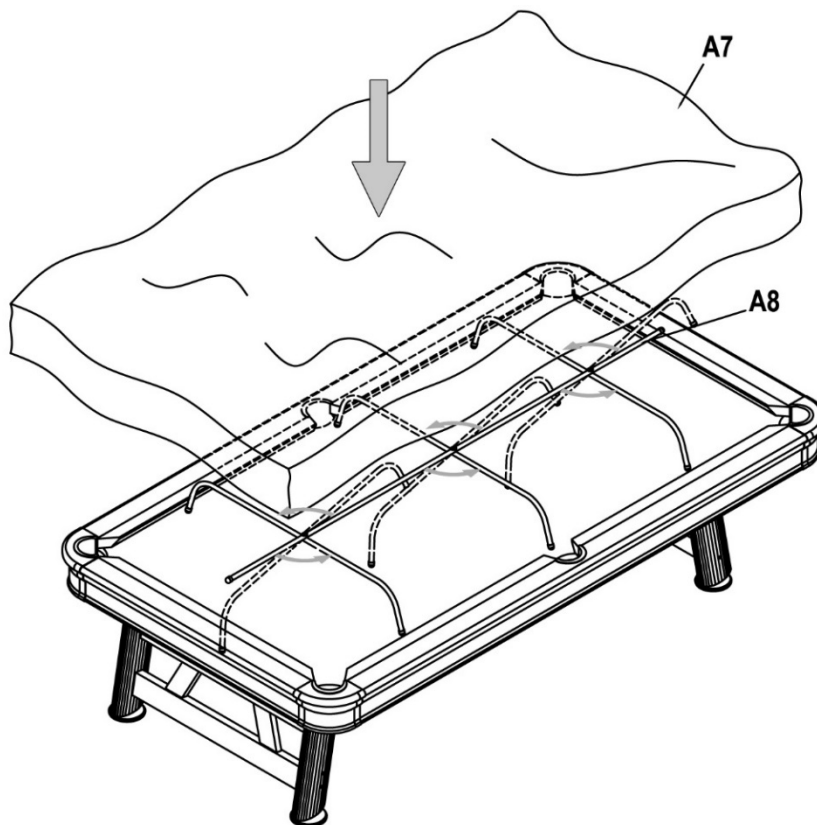
1. Attach the 4x legs #P2 to the underside with the bolts & washers #H1 & #H3.



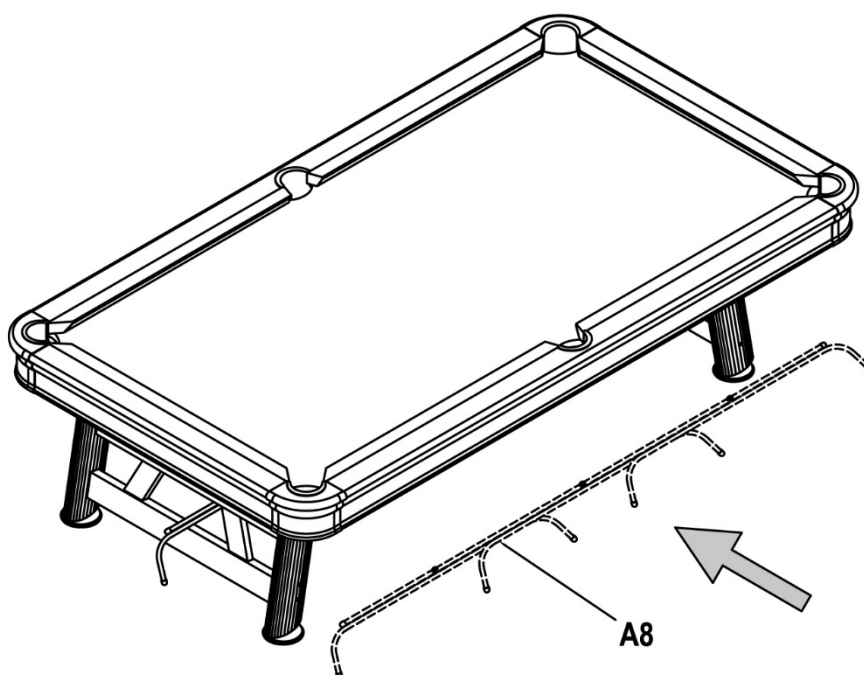
2. Attach the leg end panels #P3 to the insides of the legs #P2 with the bolts & washers #H2 & #H4.
3. Screw the leg levellers #P4 into the bottom of each leg #P2.



4. Very carefully turn the table over & set it on its legs – be careful as the table is very heavy. This step requires two or more adults. Do not use the legs for leverage.
5. If required level the table by turning the leg levellers #P4. Start by adjusting the lowest corner first & then work around the table.
6. When the table is not in use place the tent frame #A8 onto the playfield surface and pull over the cover #A7 in order to protect the table.



7. Place the tent frame #A8 underneath the table when not in use.



Care & Use of your Table

1. Use spray furniture polish to clean all exterior surfaces.
2. Use the table brush provided to clean the cloth on the table.
3. This product is intended for both indoor & outdoor use.
4. DO NOT sit, climb or lean on the table.
5. DO NOT drag the table when moving it as this will damage the legs. The table must be lifted.
6. The table must be protected with the cover provided when not in use in order to maximise the life of the cloth.

For sales & service please contact:



Mightymast Leisure Ltd
58 Bentwaters Park
Rendlesham, Woodbridge
Suffolk. IP12 2TW
UK
Tel: +44 (0)1394-460896
Fax: +44 (0)1394-461326
www.mightymast.com
info@mightymast.com